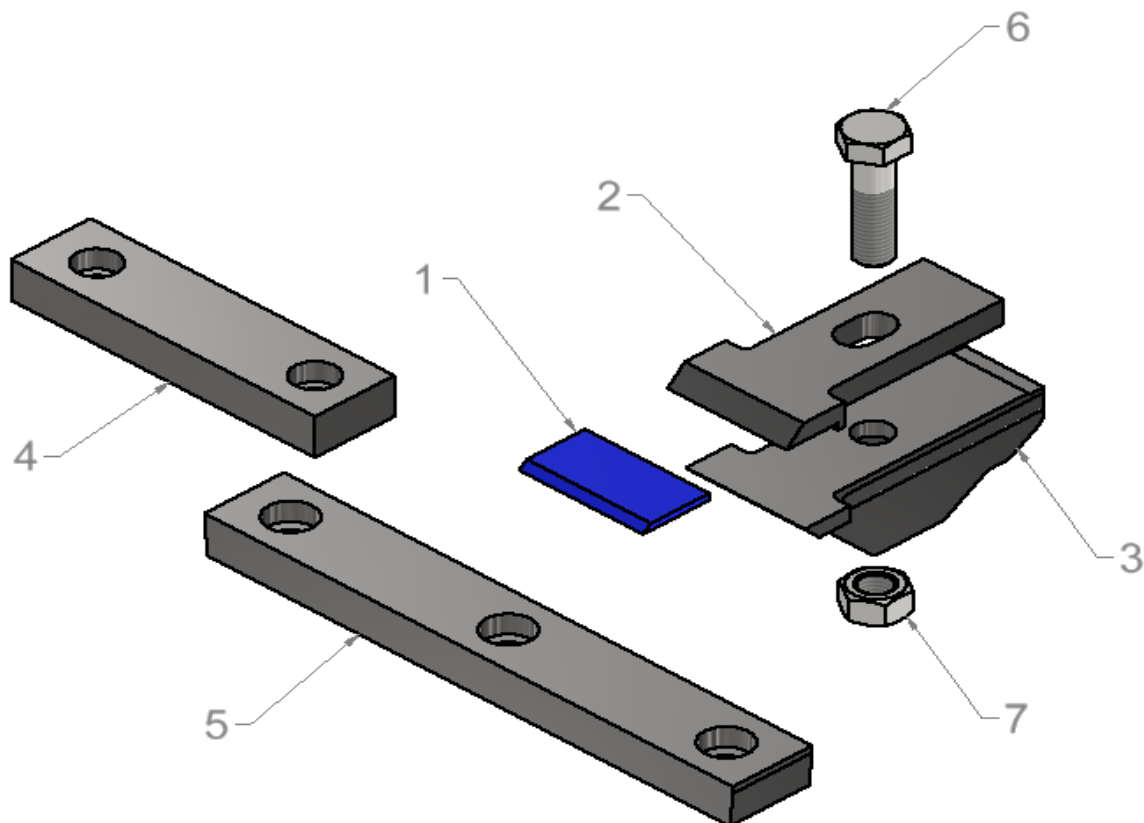


Heizohack HM 14-800KL



Pos.	Item	DRWG	Dimensions	€/pc	In Stock
1	KNIFE 94x50x5	K326265	94x50x5	- €	●
2	TOP KNIFE HOLDER	K331299	90x179x18	- €	○
3	BOTTOM KNIFE HOLDER	K332050	196x90x61,5	- €	○
4	ANVIL short	K332248	230x60x30	- €	○
5	ANVIL long	K340082	400x60x30	- €	○
6	BOLT DIN 931 - M24x80		M24x80	- €	○
7	NUT DIN 934 - M24		M24	- €	○

Payment&delivery condition:

Dispatch within 24 hours for items in stock

